

# FORZA10

10" 300W 4-Ohm Weather-Resistant  
Outdoor Subwoofer w/ IP66 Rated High-  
Impact Molded Enclosure - FORZA-10



Single 2 Conductor Input



# FORZA10 Cross

10" Omni Outdoor Subwoofer w/  
Crossover 2x Stereo Satellite Speaker  
Outputs; 8 + 8-ohm - FORZA 10CROSS



Single 4 Conductor Input  
Dual 2 Conductor Outputs



Wiring and Connectivity Guide



# FORZA10



## OSD Audio FORZA-10 10" Weather-Resistant Outdoor Subwoofer with 300W of Power and High-Impact Molded IP66-Rated Enclosure

### FEATURES & SPECIFICATIONS

Designed to blend within any outdoor setting, the FORZA-10 is a powerful and stealthy outdoor rated subwoofer that enhances outdoor sound systems by adding crucial bass notes for a more enriching surround sound experience. FORZA-10 cranks out 300W of power and includes a 10" polypropylene cone woofer and a high impact molded plastic enclosure with a unique antique bronze finish. Truly weather-resistant, the FORZA-10 is IP66 rated which means it is 100% sealed and protected from dirt and dust as well as powerful water jets such as sprinklers. Its unique curved shape and down-firing port makes it the perfect addition to decks and porches, but you can place it anywhere you run speaker wire. For optimal performance, however, we recommend placing this subwoofer on a paved or hard surface. The FORZA-10 also includes a built-in eye bolt that allows you to anchor it to the location to prevent theft or to keep it firmly in place. Pair this outdoor subwoofer with a mono subwoofer amplifier like the OSD SMP300 and combine it with any of our landscape satellite speakers, and you'll have an outdoor audio system that rivals your indoor system.

### Why Add an Outdoor Subwoofer?

Most outdoor speakers are not designed to cover lower frequencies so adding a subwoofer to a backyard audio system can make a huge difference in the quality of sound you experience. Adding an outdoor subwoofer not only delivers missing bass notes but also takes the low-frequency burden off the other speakers which will optimize your entire system.



## OSD Audio FORZA-10 10" Weather-Resistant Outdoor Subwoofer with 300W of Power and High-Impact Molded IP66-Rated Enclosure

### Features:

- Heavy-duty weather-resistant outdoor subwoofer for backyards, porches and patios
- IP66 rated and protected from dirt, dust and sprinklers
- Rated at an 300W to deliver powerful low frequency sound effects
- Down-firing port with 10" polypropylene cone woofer
- Antique bronze finish blends easily in the backyard lighting landscapes
- Withstand rain, snow and high temperatures

### Specifications

- Speaker Type: 10" Outdoor Subwoofer
- Woofer: 10" Polypropylene Cone with Rubber Surround
- Frequency Response: 40Hz-300Hz
- Power Handling: 300 Watts
- Sensitivity: 86 dB
- Impedance: 4 Ohms
- 3FT Speaker Cable Included
- Sold As: Single
- Unit Dimensions: (L x H x D) 6.5" x 12" x 16.5"
- Weight: 15 lbs
- Warranty: 2 Years



SMP500 DSP

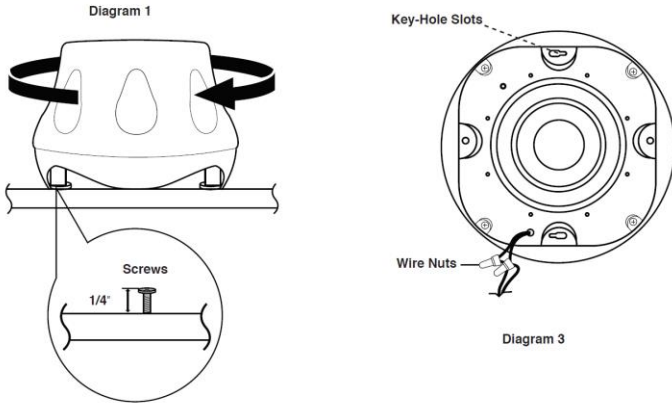


## Installation

# FORZA10

### Deck Mount

1. Determine where you want to locate the subwoofer.
2. Measure the center-to-center distance between the key-hole slots and install two mounting screws into the deck, leaving 1/4" of the screw exposed above the surface. (Diagram 1)
3. Place the subwoofer onto the pan head screws and rotate clockwise to lock into position over the key-hole slots. (Diagram 1)



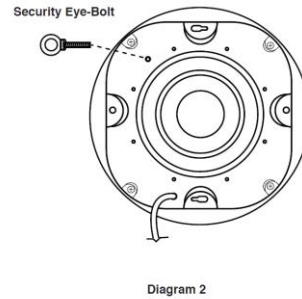
### Specifications for the FORZA10

- IP66 Rated; Dust and Water Resistant
- Woofer; 10" Polypropylene Cone
- **Power; 300 Watts Max**
- Frequency Response: 40-300Hz
- Sensitivity 86 dB 1W/1M
- **Impedance: 4-ohms**
- 1 Channel (+/-) Two- foot 14 AWG cable attached

### Garden Placement

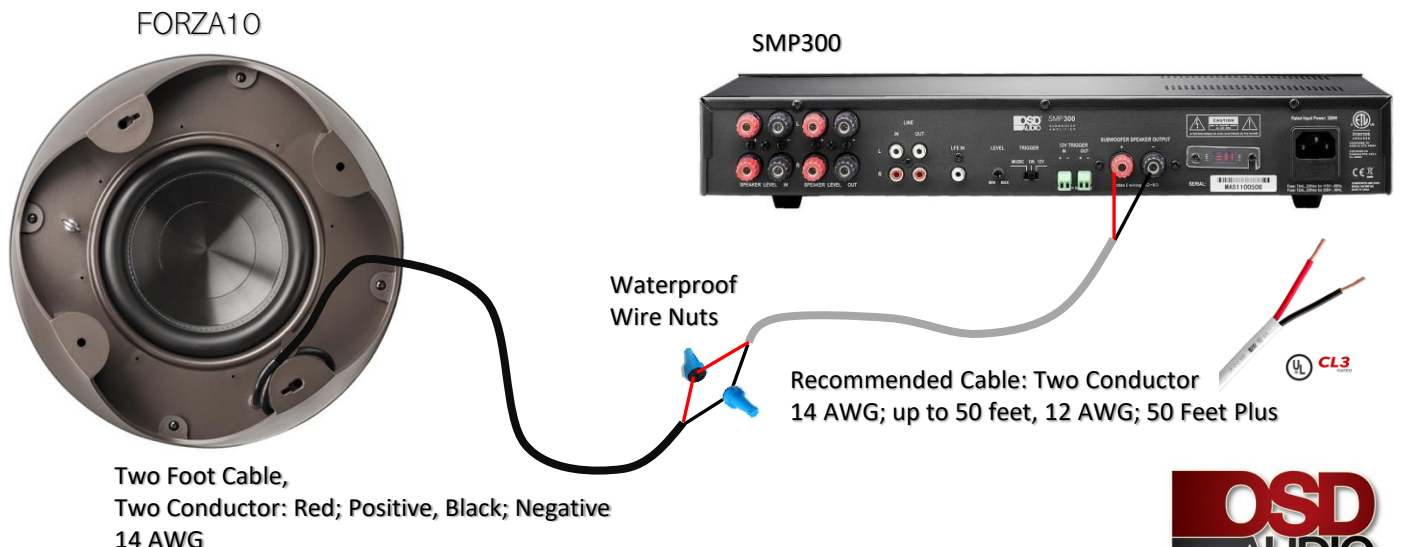
You may locate the FORZA 10 anywhere you can run speaker wire. If you place your subwoofer in a garden bed, on grass, mulch or upon soft ground we recommend you place it on a paver or other hard surface and remove all gravel and debris prior to installation. This will prevent plants, weeds and dirt from building up under the speaker that may cause damage or loss in performance.

NOTE: For anti-theft security and permanent placement the FORZA 10 has a built-in eye-bolt that enables you to anchor it's location. (Diagram 2)

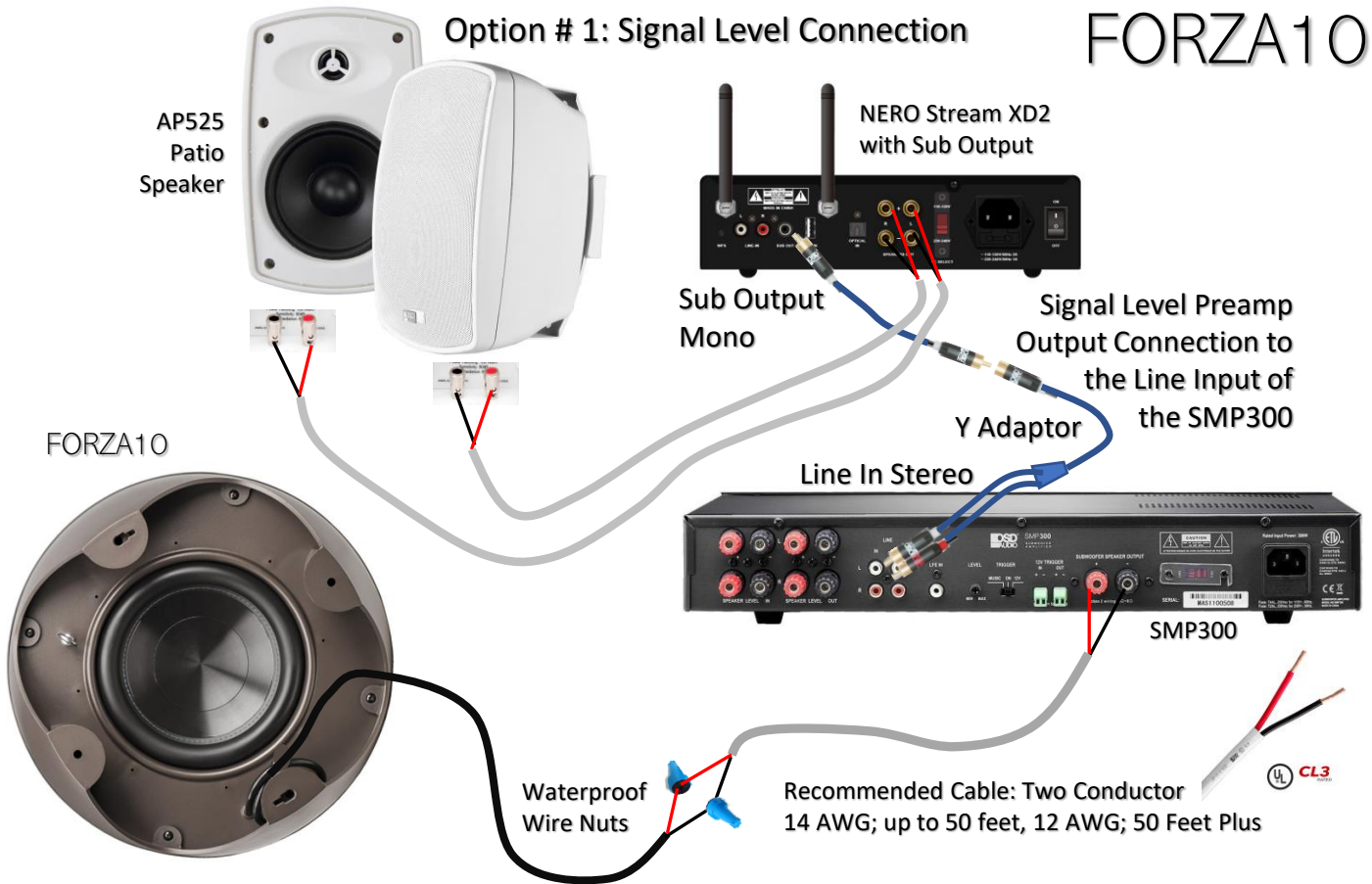


### Specifications for the SMP300

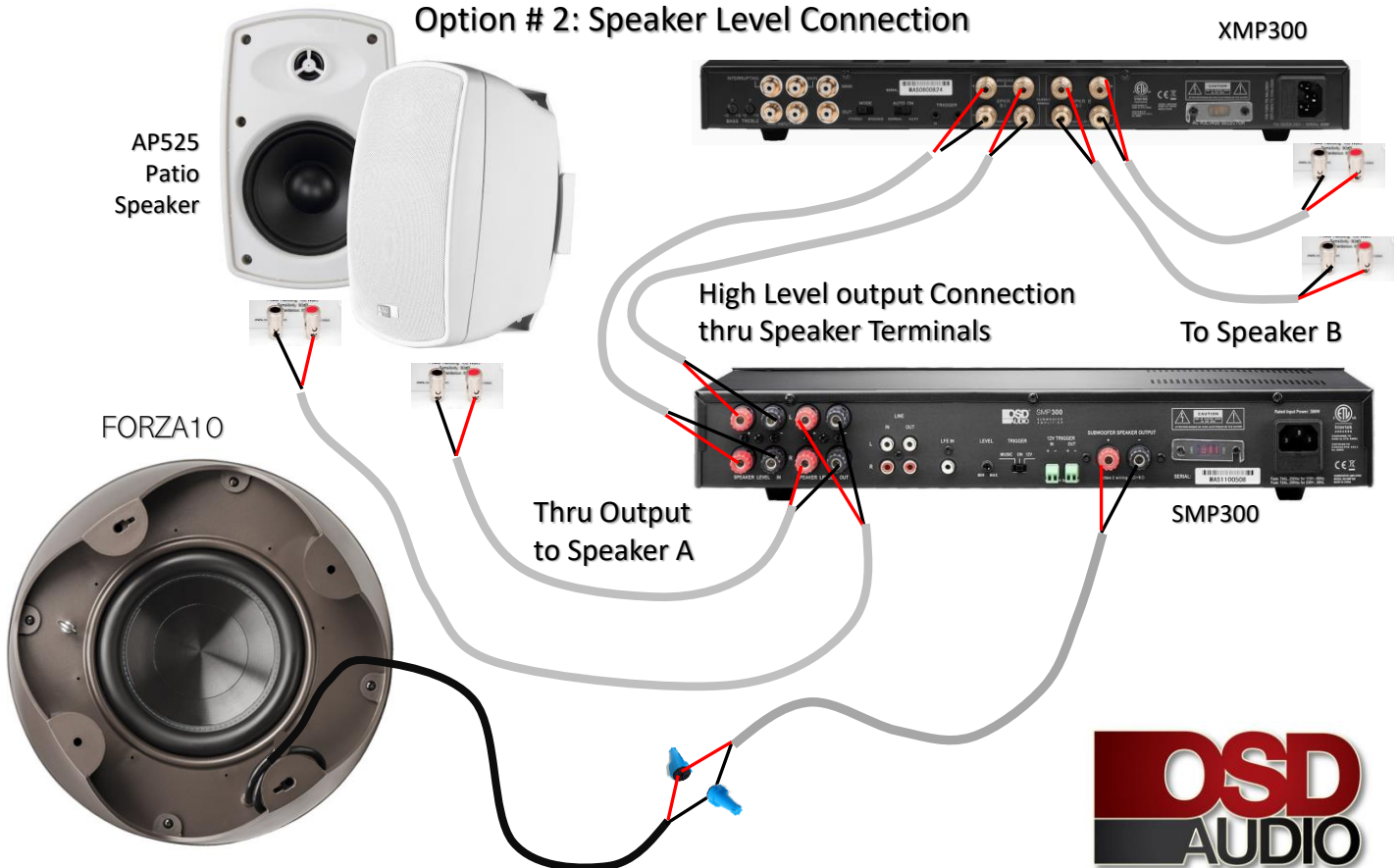
- Amplifier Type: Subwoofer
- Amplifier Class: Digital Class D
- Channels: 1
- Peak Power Output: 500 Watts @ 4 Ohm
- Power Output: 150W RMS @ 8-ohm w/ 300W Peak
- Power Output: **250W RMS @ 4-ohm w/ 500W Peak**
- Frequency Response: 20Hz-160Hz +/-1dB THD: 1%
- Variable Crossover: 35Hz-180Hz
- Variable Phase Switch: 0 to 180 Degrees
- Impedance: 8 Ohm and **4 Ohm Stable**



## Option # 1: Signal Level Connection

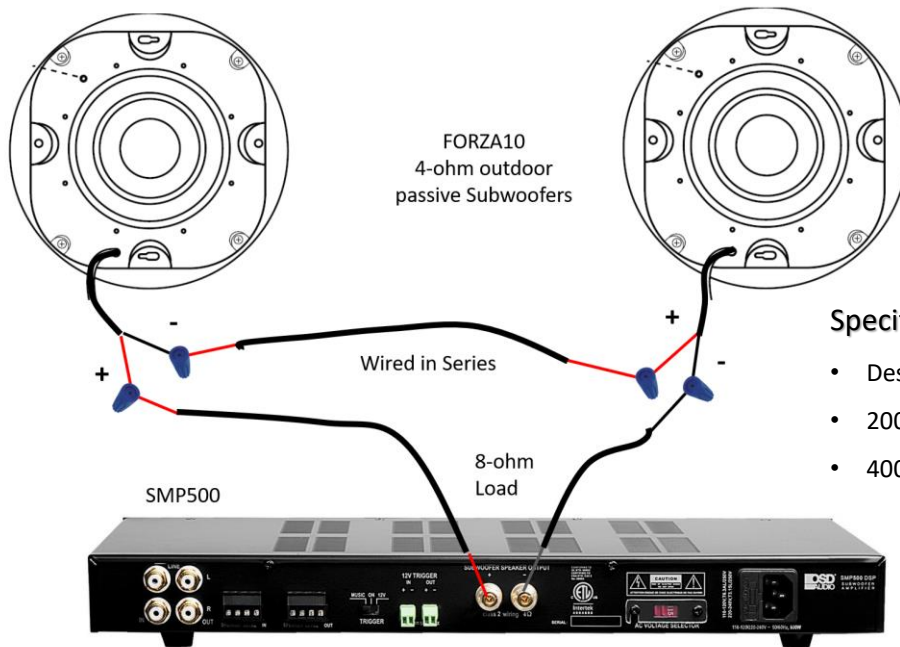


## Option # 2: Speaker Level Connection



# FORZA10

Connecting two FORZA 10 Rated at 4-ohms  
Wired in Series; Net 8-ohm load



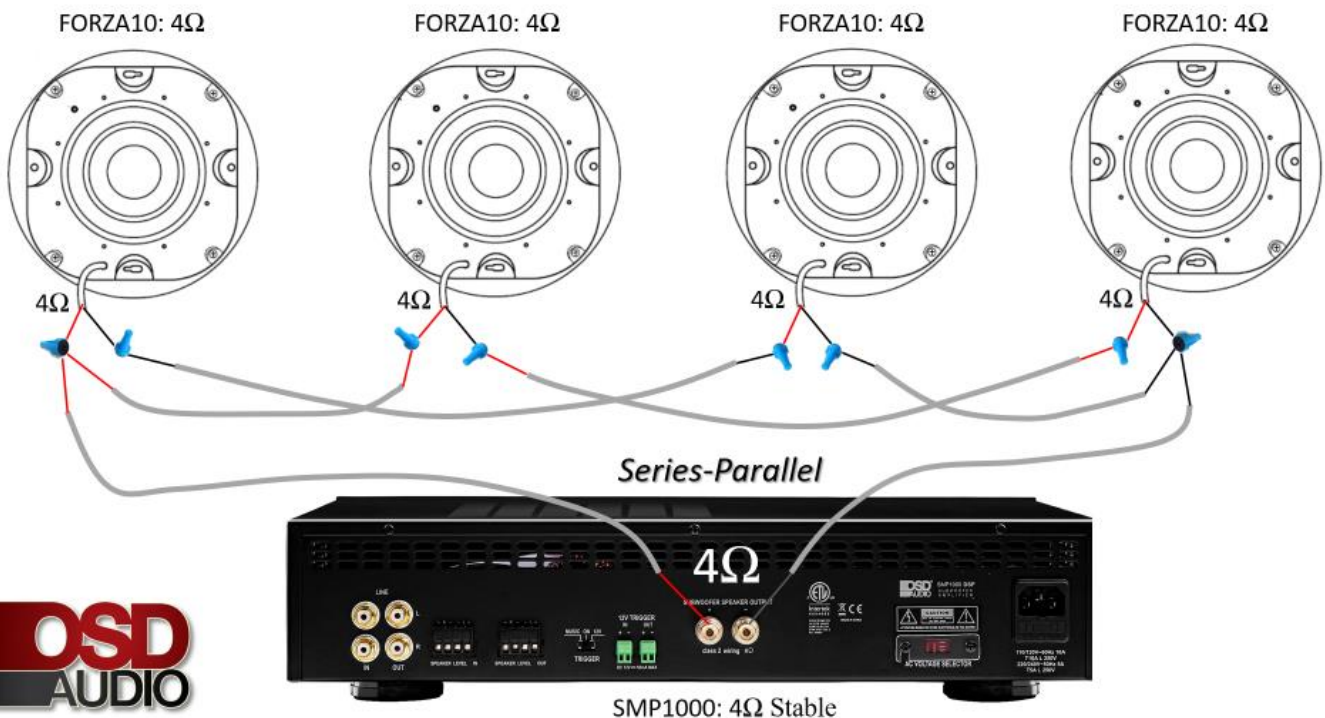
## Specifications for SMP500 DSP

- Design Type: Mono Class D
- 200Watts (RMS)/400 Watts Peak 8-ohms
- 400Watts (RMS)/800Watts Peak 4-ohms

Connecting four FORZA 10 Rated at 4-ohms  
Wired in Series-Parallel; Net 4-ohm load

## Specifications for SMP1000 DSP

- Design Type: Mono Class D
- 300Watts (RMS)/600 Watts Peak 8-ohms
- 500Watts (RMS)/1000Watts Peak 4-ohms



# FORZA10 Cross

SKU: FORZA-10CROSS

## 10" Omni Outdoor Subwoofer w/ Crossover 2x Stereo Satellite Speaker Outputs - FORZA 10CROSS

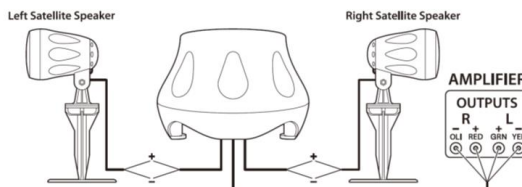
### Features:

- A powerful outdoor subwoofer with stereo output to add a pair of satellite speaker without having to purchase a dedicated subwoofer amp
- Robust high excursion 10" polypropylene woofer with stitched rubber surround
- Handles up to 300W of power for rumbling outdoor bass
- Includes internal low pass crossover and satellite speaker connections to build the perfect 2.1 system
- IP66 weather-resistant composite enclosure handles cold, wet, and high temperature climates
- Down-firing woofer configuration limits vibrations
- Omni-directional design radiates immersive bass 360 degrees and allows placement flexibility

If you're looking to add a little boom to your backyard, our FORZA10 CROSS Outdoor Subwoofer is the perfect choice for creating a subwoofer/satellite system without having to purchase a dedicated subwoofer amplifier. An easy solution to setting up a 2.1 sound system within backyards, patios, pools, or gardens, the FORZA10 CROSS has four-conductor inputs that split between a low pass crossover connected to the internal 8-ohm 10-inch woofer and a left and right stereo output to add a pair of 8-ohm satellite speakers. This amazing outdoor subwoofer handles up to 300W of power and includes a 10" polypropylene woofer with high excursion rubber surround for excellent low frequency sound. The down-firing woofer configuration uses gravity to help control unwanted vibrations, and the omni-directional design radiates bass sound 360° so you'll experience high quality audio in all directions. Although this subwoofer can be used indoors, it shines in an outdoor setting and includes a weather-resistant composite enclosure.



## 10" Omni Outdoor Subwoofer w/ Crossover 2x Stereo Satellite Speaker Outputs – FORZA 10CROSS



### Specifications for FORZA10 Cross

- Speaker Type: 10" Outdoor Subwoofer
- Woofer: 10" Polypropylene Cone with Rubber Surround
- Frequency Response: 40Hz-300Hz
- Includes internal low pass crossover
- Power Handling: 300 Watts
- Sensitivity: 86 dB
- Impedance: 8 Ohms
- 3FT Speaker Cable Included
- Sold As: Single
- Unit Dimensions: (L x H x D) 6.5" x 12" x 16.5"
- Weight: 28 lbs.
- Warranty: 2 Years



# AMP300/FORZA10 Cross; Sub/Satellite System

# FORZA10 Cross



## Specifications for Stereo AMP300

- Design Type: Stereo Class AB
- 150Watts RMS @ 8-ohms
- 235Watts RMS @ 4-ohms
- 2-ohm stable

### Four Conductor Input Cable coming from FORZA10 Cross:

- Right +: Red
- Right -: Yellow/Green
- Left +: Green
- Left -: Yellow

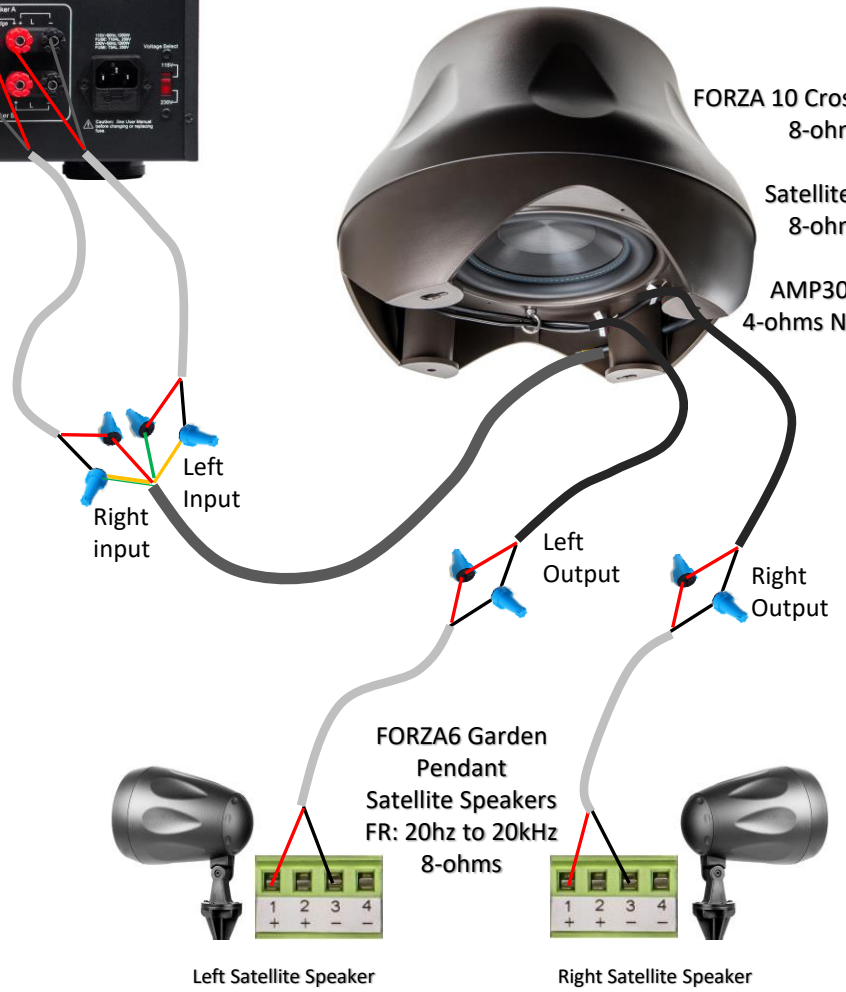
## Specifications for the FORZA10 Cross

- IP66 Rated; Dust and Water Resistant
- Woofer; 10" Polypropylene Cone
- **Power; 300 Watts Max**
- Frequency Response: 40-300Hz
- Satellites Pass Through FR: 20Hz to 20kHz
- Sensitivity 86 dB 1W/1M
- **Impedance: 8 + 8-ohms**
- Four Conductor Input Cable
- Two 2 Conductor Output Cables for Satellite Speakers

FORZA 10 Cross:  
8-ohms

Satellites:  
8-ohms

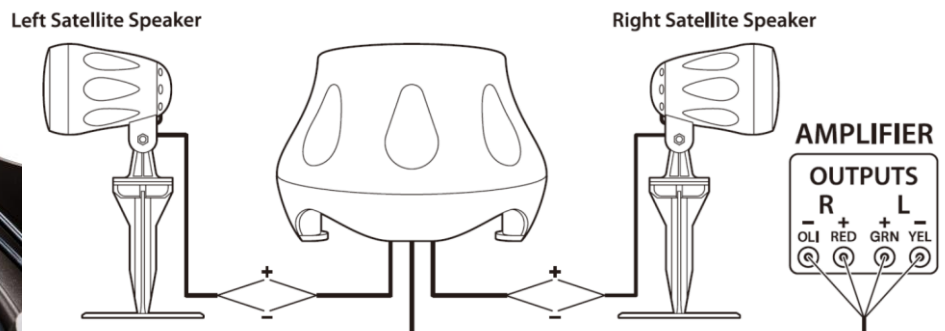
AMP300:  
4-ohms Net



Two 2 Conductor Output Speaker Cables from FORZA10 Cross  
Right/Left +: Red  
Right/Left -: Black



Wiring diagram from FORZA10 Cross Owner's Manual





### 14 Gauge 2-conductor Oxygen Free Burial Rated In-Wall Speaker Cable 500ft CL3

#### FEATURES & SPECIFICATIONS

Designed to handle the rigors of outdoor installations, this 500 ft, budget-saving cable, is perfect for outdoor speakers, low voltage lighting and other outdoor or direct burial applications. The 14 AWG CL3 rated for underground or in-wall use, the cable features a specially formulated white polyethylene jacket that is U/V resistant and provides protection against water damage. We manufacture to the highest standards with 41 strands of 99.9% pure copper conductors.



#### Specifications

- Weatherproof Design
- Double Insulated Cable
- Continuous working temperature range: -20°C - 75°C
- Voltage rating: 300V rams
- Resistant to solvents chemicals gasoline and radiations
- Resistant to UV
- Direct Burial
- RoHS complied
- 41 strands
- 14-gauge 2 conductor wire
- 500ft Length
- CL3R Rated for Residential and Commercial Use
- Diameter: 1/4"

### OSD Audio KI-14 Waterproof Outdoor Wire Nut Connectors, Fits Up To 14AWG, 2 Pairs

#### Specifications

- For connections exposed to condensation, water, vapors or dust
- Pre-filled with silicone sealant
- Waterproof splices and protect against corrosion
- Max. Voltage: 600V max. building wire (1000V max. signs or luminaries)
- Connector Size: 2" x 13/16"
- Wire Type: Copper/Copper
- Fits up to 12 AWG wire
- Temperature Rating: 105°C (221°F)
- Silicone Sealant: -45°F to 400°F
- UL Designation: MDB
- 2 pair - blue

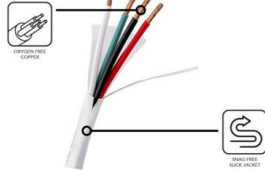
UL 486D Listed  
Accepts 14g wire and smaller  
One-Step® installation  
Corrosion Proof



RoHS Compliant

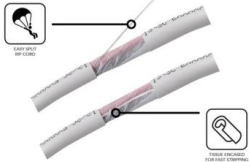
#### EXCELLENT SIGNAL TRANSFER

Highly conductive, oxygen-free copper strands provide reliable signal transfer for excellent sound quality over long distances



#### DESIGNED FOR PROS

Easy gull snag-free design includes tissue wrapped conductors and rip-cord allow for quick stripping.



### OSD Audio Wall Plates



#### WP4 Terminal Decora Speaker Binding Wall Plate

The WP4 Terminal Decora speaker binding wall plate offers a clean, wall-mounted wire connection for one pair of speakers to your stereo system. All connectors are gold-plated for maximum conductivity and durability on this audio speaker terminal wall plate with installer-friendly inserts from Outdoor Speaker Depot.



#### WP-2 Terminal Speaker Decora Binding Post Wall Plate

#### Specifications

- Provides wall-mounted wire connection for one speaker to your stereo system.
- Single speaker wall mount clean wire connection
- In-wall speaker to amplifier connection
- Gold plated, color coded terminals
- Attractive Decora style wall plate (White)



#### TOP QUALITY

Industry leading features and certification for the highest quality assurance (UL, CL3, RoHS REELEX)



### BLACK 14 Gauge 2-conductor Oxygen Free Burial Rated In-Wall Speaker Cable 500ft CL3

### White 14 Gauge 2-conductor Oxygen Free Burial Rated In-Wall Speaker Cable 500ft CL3



#### Specifications

- Weatherproof Design
- Double Insulated Cable
- Continuous working temperature range: -20°C - 75°C
- Voltage rating: 300V rams
- Resistant to solvents chemicals gasoline and radiations
- Resistant to UV
- Direct Burial
- RoHS complied
- 41 strands
- 14 gauge 2 conductor wire
- 500ft Length
- CL3R Rated for Residential and Commercial Use
- Black or White Jacket

